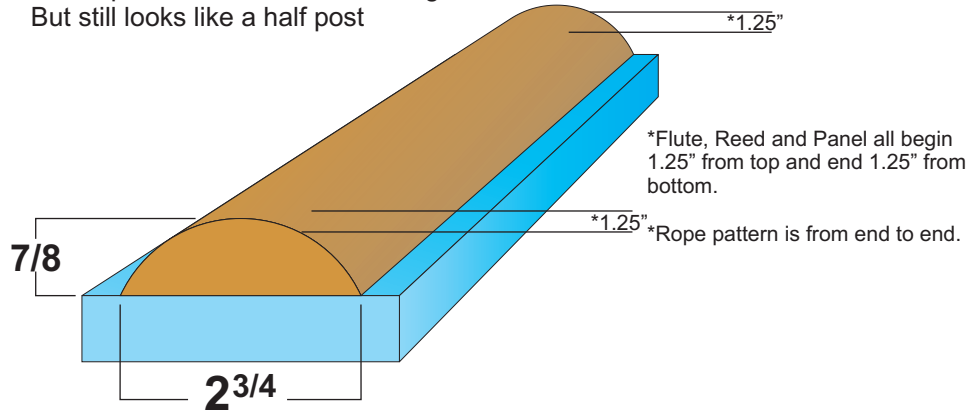


Lower profile allows for door swing
But still looks like a half post



CMF Cabinet Molding

25, 35.25 and 86"