



ITEM # BTS67DB 67" COPPER SINGLE SLIPPER TUB

CODE/STANDARD COMPLIANCE

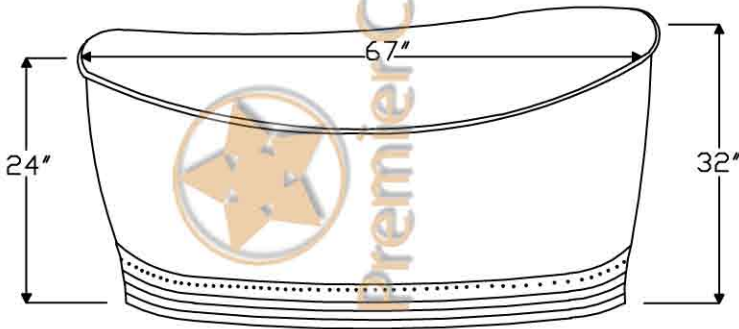
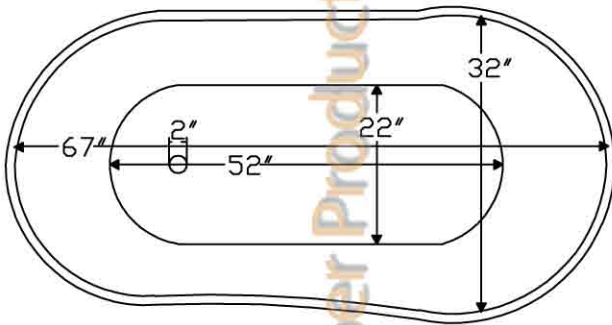
* IAPMO/UPC LISTED



OUTER DIMENSIONS: 67"X32"X32"

DRAIN SIZE: 2" END

MATERIAL GAUGE: 16



IMPORTANT: THIS PRODUCT IS HAND CRAFTED AND SMALL VARIANCES MAY OCCUR. DIMENSIONS MAY VARY UP TO 1/2". DO NOT MAKE ANY INSTALLATION CUTS UNTIL YOU RECEIVE YOUR TUB.