



Premier Copper Products

CODE/STANDARD COMPLIANCE

* IAPMO/cUPC LISTED



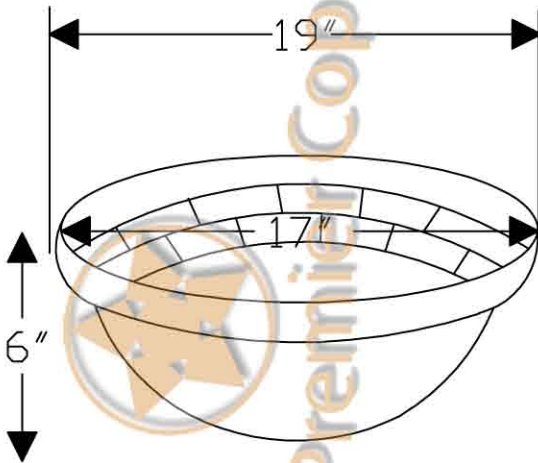
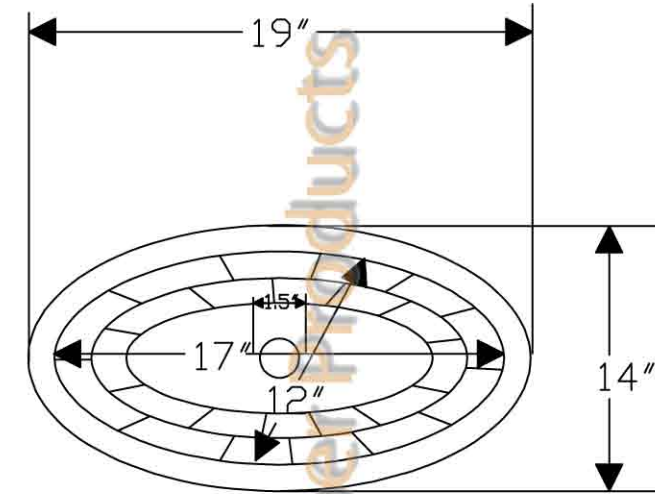
ITEM # L019RBKDB OVAL STACKED STONE ROLLED RIM

OUTER DIMENSIONS: 19"X14"X6"

INNER DIMENSIONS: 17"X12"X6"

DRAIN SIZE: 1.5" W/O OVERFLOW

MATERIAL GAUGE: 17



IMPORTANT: THIS PRODUCT IS HAND CRAFTED AND SMALL VARIANCES MAY OCCUR. DIMENSIONS MAY VARY UP TO 1/4". DO NOT MAKE ANY INSTALLATION CUTS UNTIL YOU RECEIVE YOUR SINK.