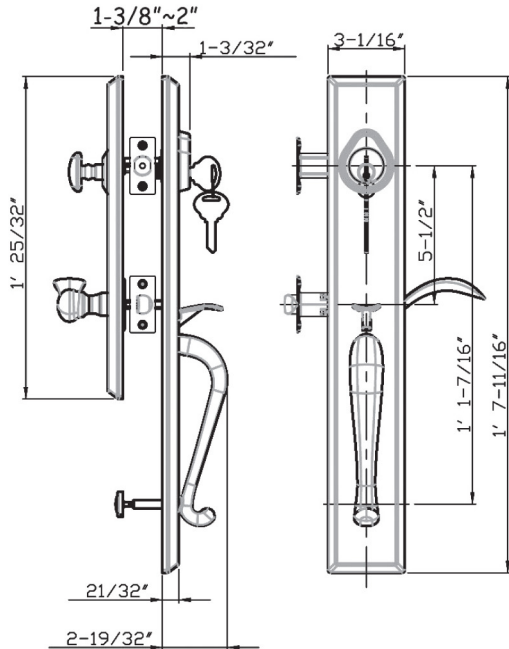


CORDOBA™

SANDCAST COLLECTION

DIMENSIONS



DELANEY
Designer Series™



SPECIFICATIONS

| | | | |
|-----------------------|---|---------------------|---|
| Door Prep | Deadbolt cross bore: 2-1/8" Handleset cross bore: 2-1/8" Edge bore: 1" Latch Face: 1" x 2-1/4" Mounting (center to center) 5-1/2" | Latches | Deadbolt: 2-3/8" and 2-3/4" adjustable (9092) Faceplate: 1" x 2-1/4" round corner Bolt: Brass with hardened steel rod, full 1" throw Handle: 2-3/8" & 2-3/4" adjustable (9079R) Faceplate: 1" x 2-1/4" round corner Bolt: 1/2" Solid Brass throw |
| Backset | Fits 2-3/8" and 2-3/4" | Strikes | Deadbolt: Full lip round corner (9117 & 9113) Handle: Full lip round corner (9103) |
| Door Thickness | 1-3/8" ~ 2" door standard, 2-1/4" Ext. Kit Available | Wood Screws | Combination screws that suit both wood or metal door mounting Includes 3" Security Screws |
| Cylinder | SC4 6-pin standard, KW1 5-Pin Optional Handlesets packed KD | Door Handing | Specify handing when ordering lever as Interior option |
| Interconnected | 600-Single Cylinder Handleset only | | |