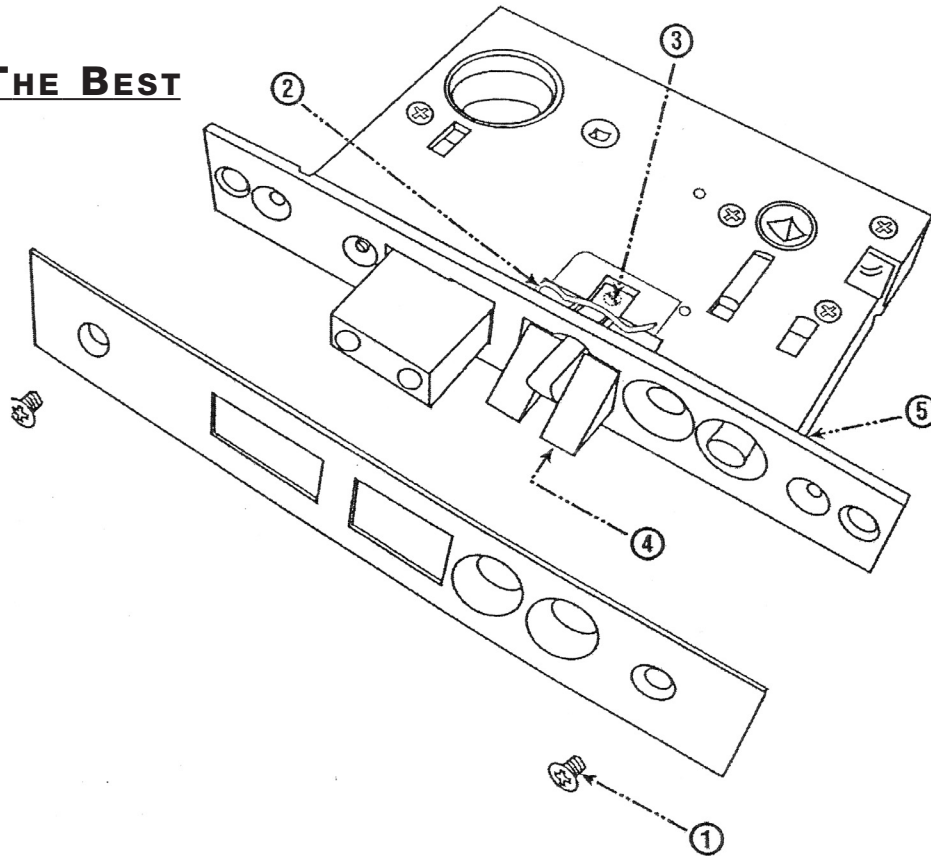


DISCOVER THE BEST



Instruction for reversing a Brass Accents, Inc. Mortise Lock

There are times that mortise locks are ordered with the incorrect handing or may arrive at the construction site where the door handing has changed. With the BRASS ACCENTS, INC. series mortise locks, such problems are easily overcome. Below are the instructions for changing the handing on a mortise lock without opening the case:

1. Remove part no. 1, two screws that hold the mortise face plate onto the armour front of the lock.
2. Remove part no. 2, cotter pin.
3. Remove part no 3 screw from tongue of mortise lock (part no. 3 is always located on the opposite side of part no. 2, cotter pin). Pull out part no. 4 and reverse it's direction. Replace part no. 3 screw to hold tongue of mortise lock in place. Alignment of part no. 4 is very important to allow replacement of part no. 3 screw. Sometimes part no. 5 armour front screws must be loosened to allow adjustability.
4. Replace part no. 2 cotter pin and re-fasten part no. 1 screws.
5. Test lock functions before closing door.