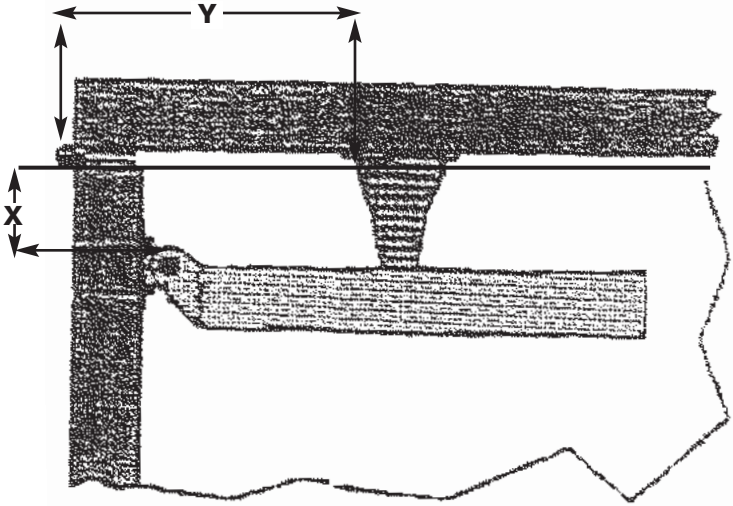


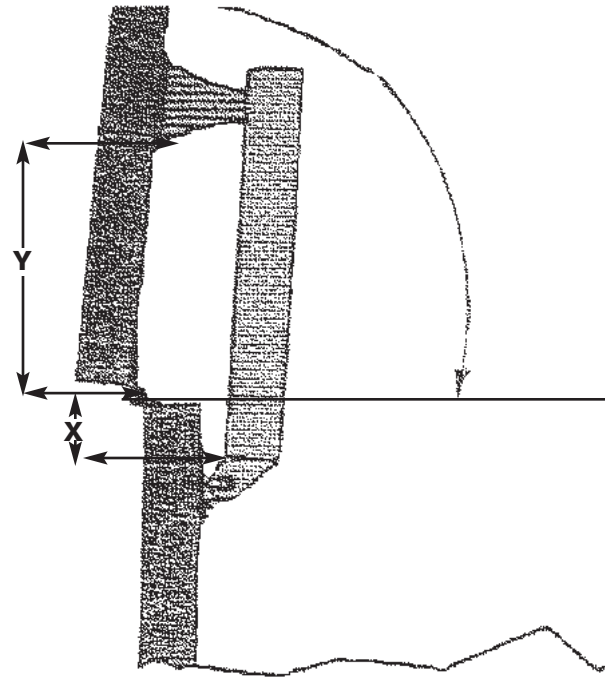
MOUNTING INSTRUCTIONS FOR 02012460
For lids 19-26" long - weighing less than 9 lbs.
Mount approximately 6" from edge of lid
 $X = \frac{5}{8}" - 1"$
 $Y = 3\frac{3}{8}" - 3\frac{3}{4}"$



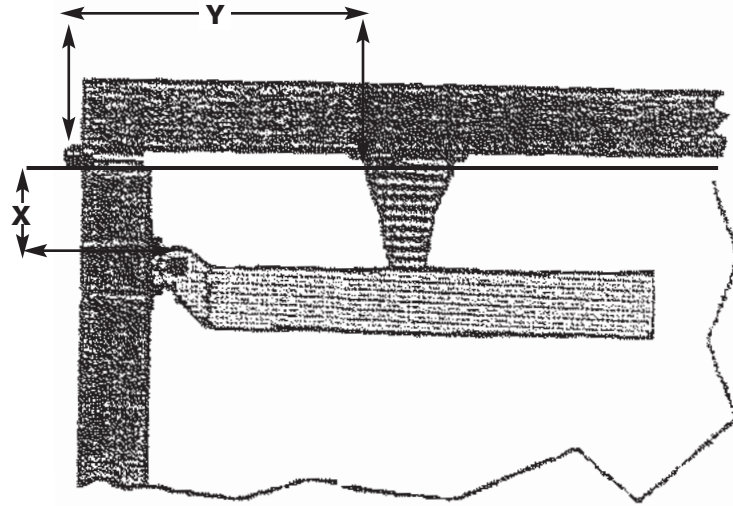
99000042

Spring Loaded Lift

page 1 of 1



MOUNTING INSTRUCTIONS FOR 02012460
For lids 19-26" long - weighing less than 9 lbs.
Mount approximately 6" from edge of lid
 $X = \frac{5}{8}" - 1"$
 $Y = 3\frac{3}{8}" - 3\frac{3}{4}"$



Spring Loaded Lift