

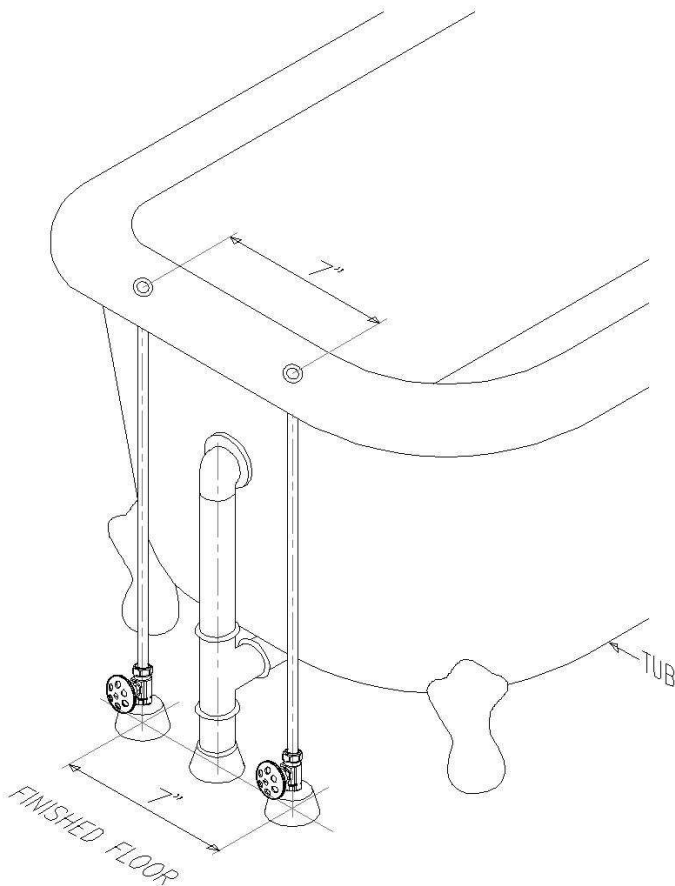
Strom Plumbing

BY

Sign of the Crab

Rough-In Diagram and Installation Instructions for Strom Plumbing By Sign of the Crab's

P0675 Deck Mount Leg Tub Supply Set



P0675/P0007E

Parts included:

(2) Escutcheons, (2) ½" IPS Supply Stops, (2) Supply Tubes,

(4) ½" Supply Nuts & Washers

This product is warranted when installed by a licensed plumber only. **Assemble all parts to check fit prior to beginning the installation steps below.**

Connection at the floor:

1. Rough in ½" IPS with 1 ½" of threading above the finished floor. See diagram for center to center measurements and offsets from drain. This measurement may vary, depending on the center to center measurement of the faucet/tub being installed on.
2. Slide the escutcheon over the ½" IPS coming up from the floor. NOTE: there should be at least ½" of threads coming up through the hole in the escutcheon.
3. Attach the supply stop to the IPS pipe so it sits down just above the escutcheon. **USE TEFLON TAPE ON THREADS**
4. Measure the length of supply tube needed. This may vary per tub. This tube may be cut at the bottom end only. **NOTE: ASSEMBLE & MEASURE BEFORE CUTTING**
5. Slide the top and bottom supply nuts onto the tube from the bottom of the tube. **NOTE: THE FAUCET SUPPLY NUT GOES ON WITH THE THREADS FACING THE INLETS OF THE FAUCET and THE SUPPLY NUT TO THE STOP VALVE SHOULD HAVE THE THREADS FACING THE STOP VALVE.** Then slide the brass washer and rubber cone washer with narrow end to valve onto the bottom end of the supply tube.
6. Tighten the supply nut down onto the stop valve compressing the cone washer into the stop valve.

Connection at the faucet inlet:

1. The faucet supply nut with the threads facing the faucet should be on the supply tube.
2. Put the cone washer at the end of the tube up against the collar, narrow end toward faucet.
3. Tighten the supply nut to the faucet inlet – compressing the cone washer.
4. Turn on water and check for leaks.

091508