

TUB FILLER WITH DIVERTER

Cat. No.
4010

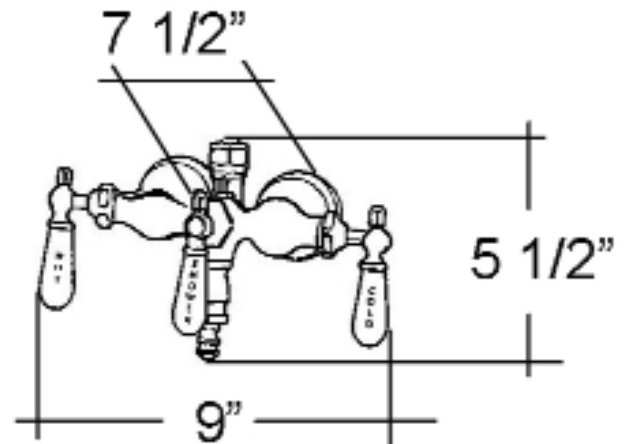


Features:

- ▶ Old Style Spigot
- ▶ Solid Brass Adjustable Shower Head Included
- ▶ Acrylic Tub Use Only
- ▶ 1/4 Turn Ceramic Disc Cartridges
- ▶ 3 3/8" Centers

Finishes:

- CP** Polished Chrome
- BP** Polished Brass



Riser Height: 62"

Dimensions are nominal and may vary. Dimensions and specifications subject to change without notice.