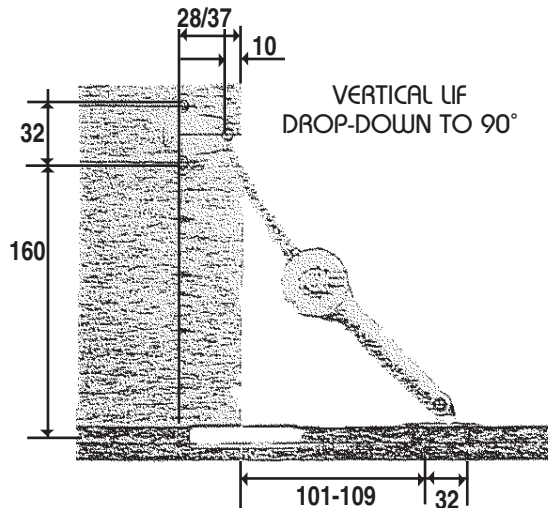
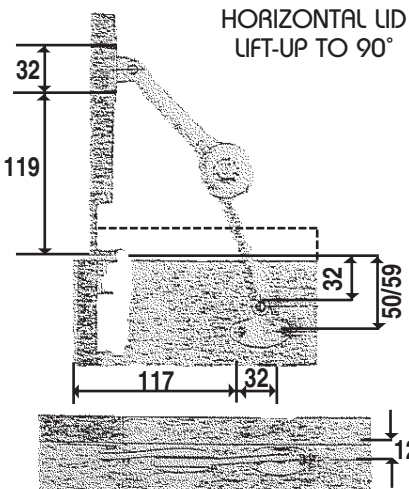
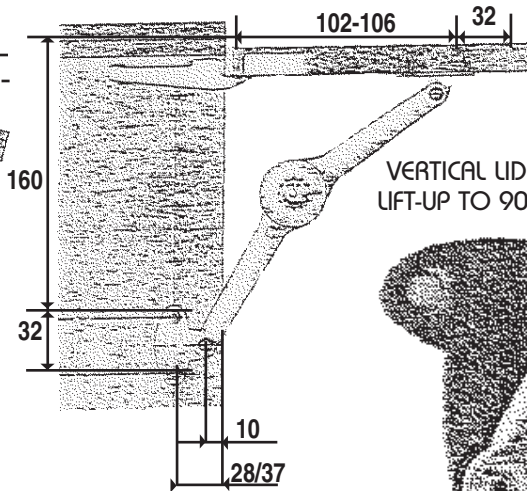
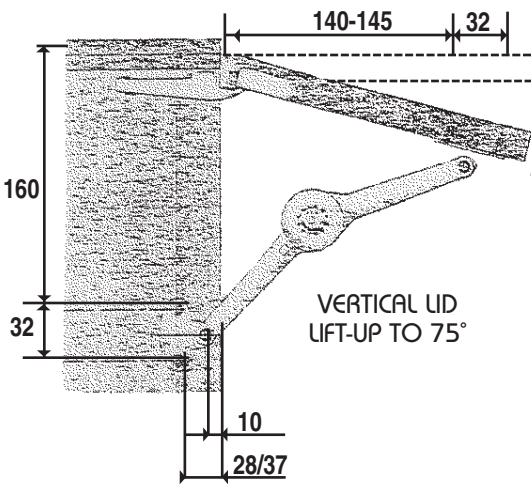
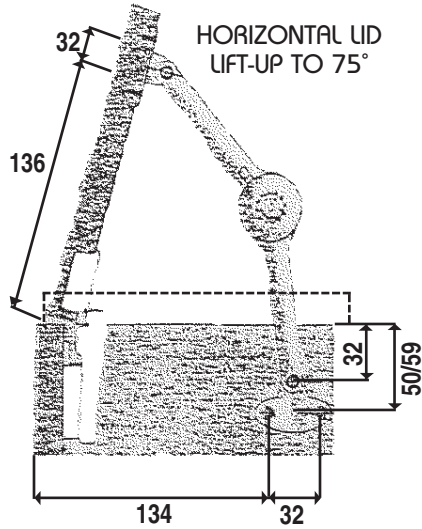


DELTA

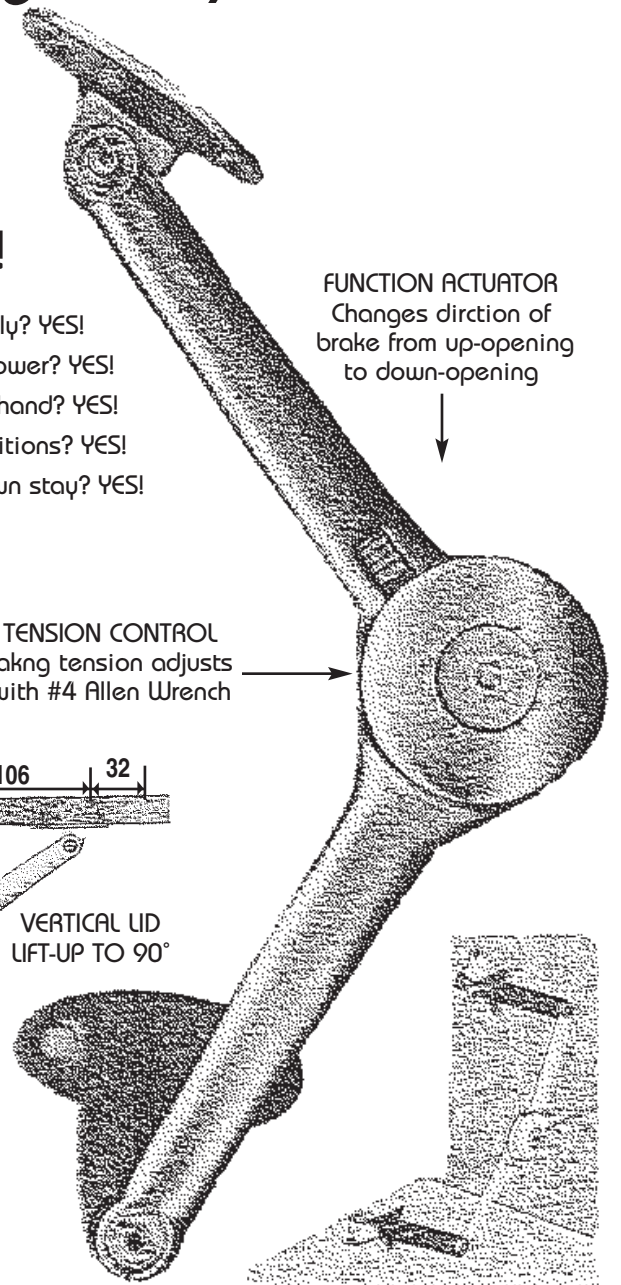
....the amazing lid stay that's
convertible!
reversible!
adjustable!
demountable!

Mount the brackets separately? YES!
Precisely adjust the braking power? YES!
Switch a left-hand stay to right-hand? YES!
Stop the lid at intermediate positions? YES!
Switch a lift-up stay to a drop down stay? YES!



TENSION CONTROL
raking tension adjusts
with #4 Allen Wrench

FUNCTION ACTUATOR
Changes direction of
brake from up-opening
to down-opening



- Stong, die-cast nickel-plated zamak for lids up to 20 lbs! Lighter lids require only one fitting. Only 8" long overall.
- All holes on 32mm centers and can be placed either 27mm or 32mm from the leading edge for users of the 32mm combination drilling system.
- Application has been made simple since brackets are fastened to the cabinet separately and then snap onto the fitting!
- Angle of opening varied from 75° to 90° by relocation of brackets and varies according to type of hinge used.
- Adjusts for sliding, braking action to hold at intermediate positions.
- Reverses tension direction from LIFT-UP to DROP-DOWN function.
- Fastens interchangeably, LEFT or RIGHT.