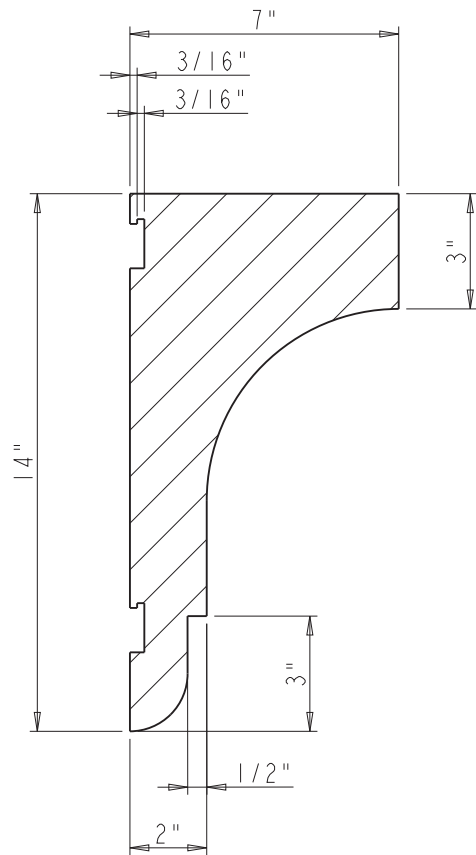
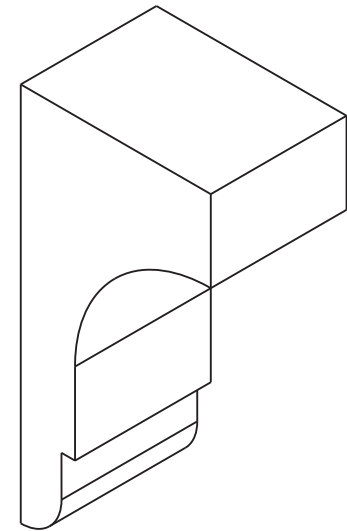
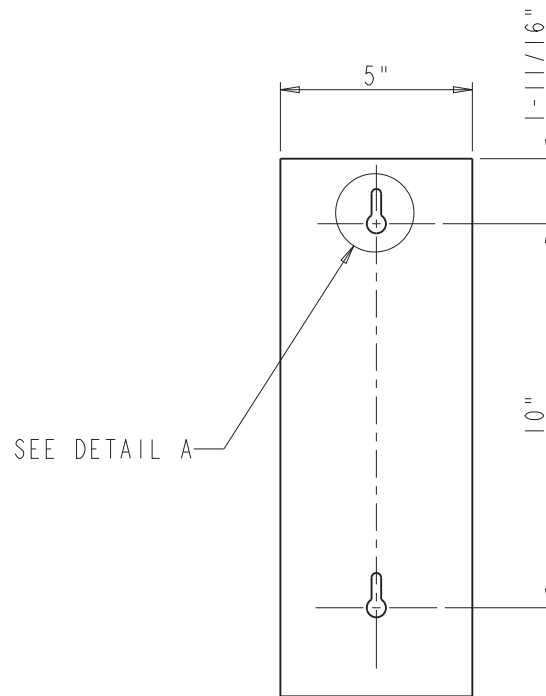


DETAIL A
SCALE 1:2



SECTION A-A



SEE DETAIL A

PROPRIETARY AND CONFIDENTIAL THE INFORMATION CONTAINED IN THIS DRAWING IS THE SOLE PROPERTY OF HARDWARE RESOURCES INC. ANY REPRODUCTION IN PART OR AS A WHOLE WITHOUT THE WRITTEN PERMISSION OF HARDWARE RESOURCES INC. IS PROHIBITED.	ITEM: COR32-2		MATERIAL:	
	FINISH:		WEIGHT: 0.000 g	
			PROJECTION	
TOLERANCE UNLESS OTHERWISE SPECIFIED: X ±0.20 XX ±0.10 XXX ±0.05 ANGULAR: ±0.5° DO NOT SCALE DRAWING		UNITS:	DRAWN BY: <i>Hugo Cal</i>	DATE: 09/03/14
		SIZE: A4	APPROVED BY:	DATE:
		SHEET: 1 OF 1	RELEASE LEVEL:	REVISION: