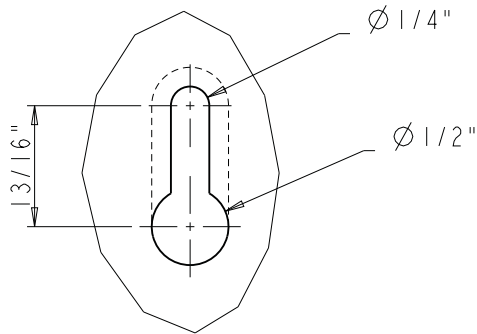
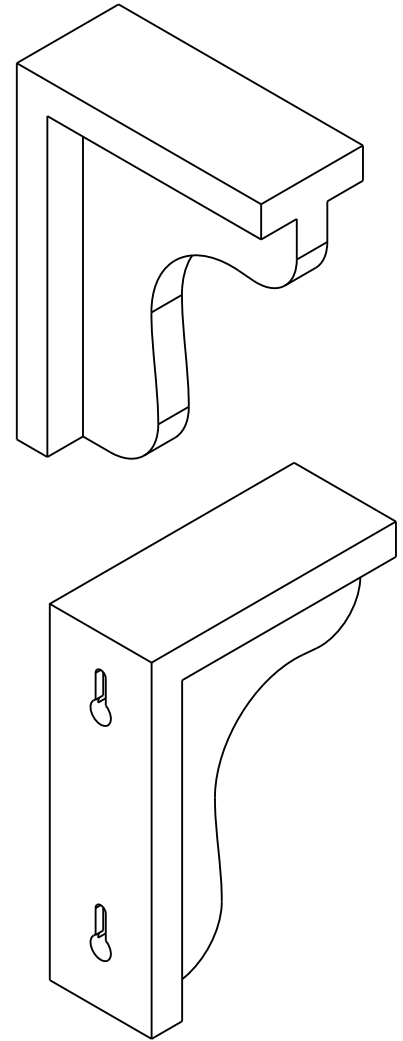


SEE DETAIL A



DETAIL A
SCALE 4:5



PROPRIETARY AND CONFIDENTIAL THE INFORMATION CONTAINED IN THIS DRAWING IS THE SOLE PROPERTY OF HARDWARE RESOURCES INC. ANY REPRODUCTION IN PART OR AS A WHOLE WITHOUT THE WRITTEN PERMISSION OF HARDWARE RESOURCES INC. IS PROHIBITED.	ITEM#: COR8-6	MATERIAL:
	FINISH:	WEIGHT: 0.000 g
		PROJECTION
	TOLERANCE UNLESS OTHERWISE SPECIFIED: X ±0.20 XX ±0.10 XXX ±0.05 ANGULAR: ±0.5°	UNITS: A4
	DO NOT SCALE DRAWING	DATE: 12-24-15
	APPROVED BY: Hugo.cai	DATE:
	RELEASE LEVEL:	REVISION:
	1 OF 1	