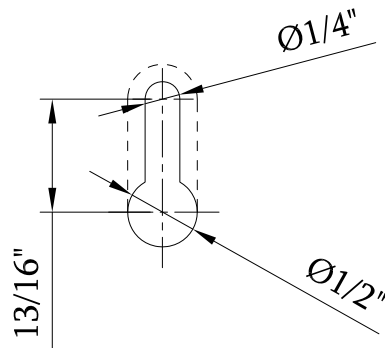
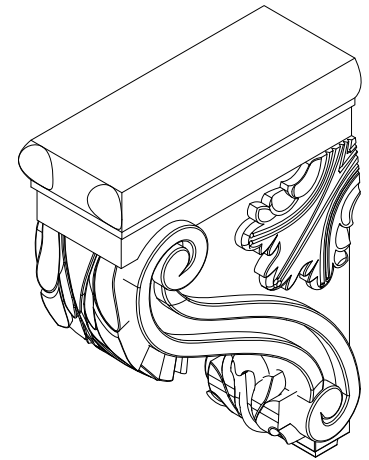
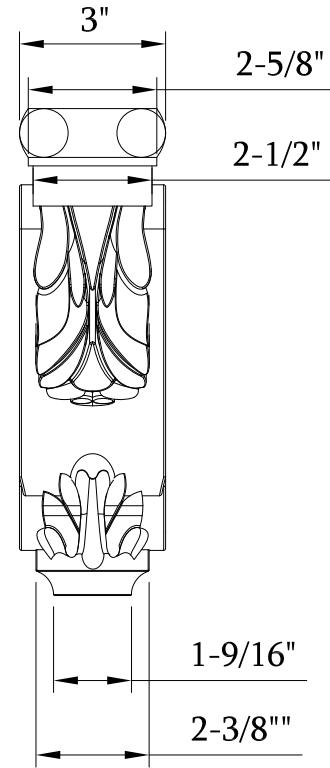
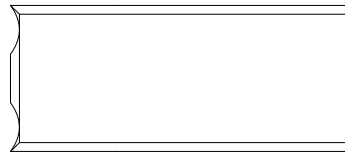
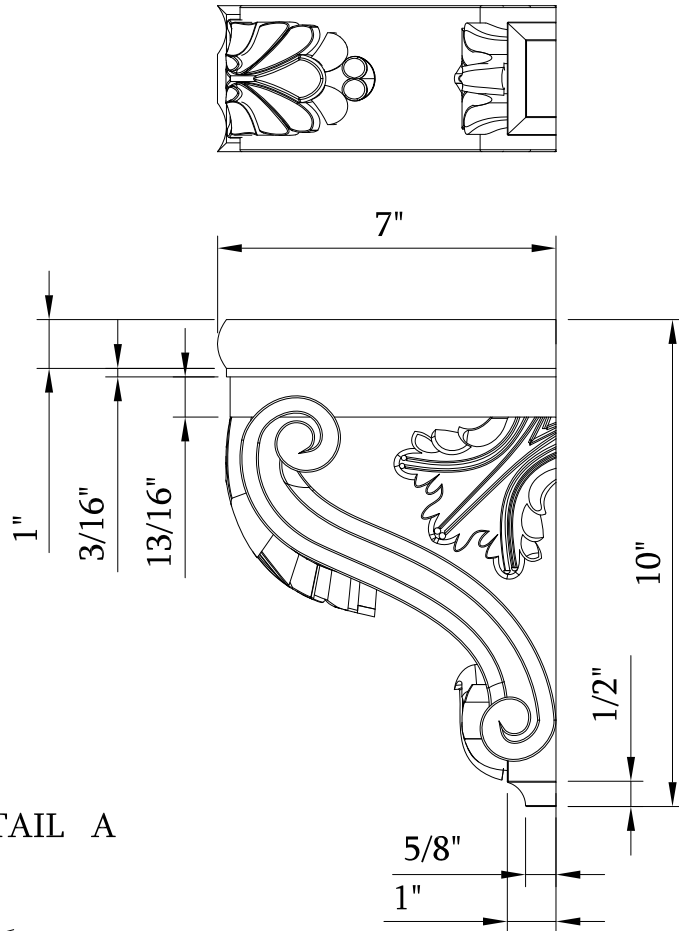


SEE DETAIL A



DETAIL A
SCALE 1:2



PROPRIETARY AND CONFIDENTIAL THE INFORMATION CONTAINED IN THIS DRAWING IS THE SOLE PROPERTY OF HARDWARE RESOURCES INC. ANY REPRODUCTION IN PART OR AS A WHOLE WITHOUT THE WRITTEN PERMISSION OF HARDWARE RESOURCES INC. IS PROHIBITED.	ITEM#:	CORE-1		MATERIAL:
	FINISH:			WEIGHT: 9
TOLERANCE UNLESS OTHERWISE SPECIFIED: X.: MM ±0.20 X.X: MM ±0.10 X.XX: MM ±0.05 ANGULAR: ±0.5° DO NOT SCALE DRAWING	PROJECTION:			DATE: 09-07-15
	UNIT:		DRAWN BY: alexander.w	DATE:
	SIZE:		CHECKED BY:	DATE:
		APPROVED BY:		DATE: