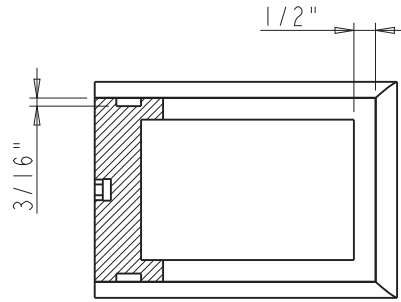
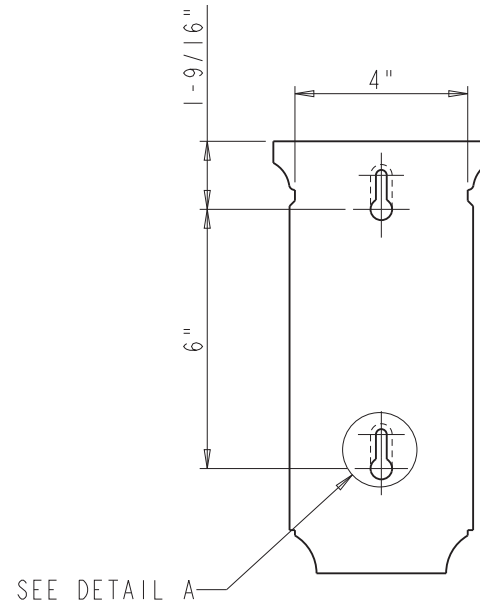
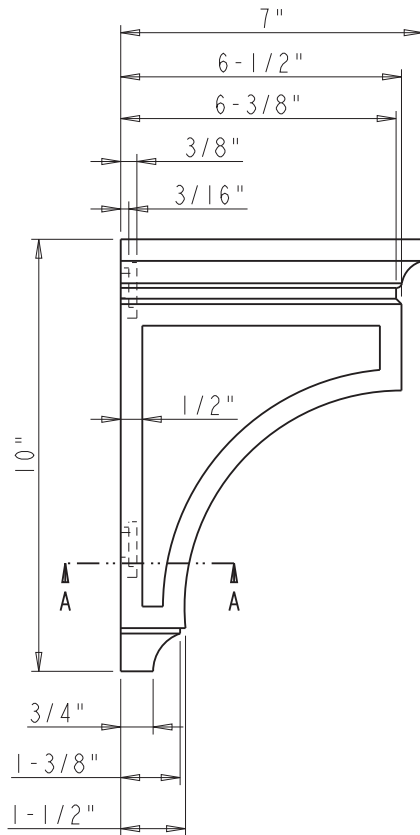
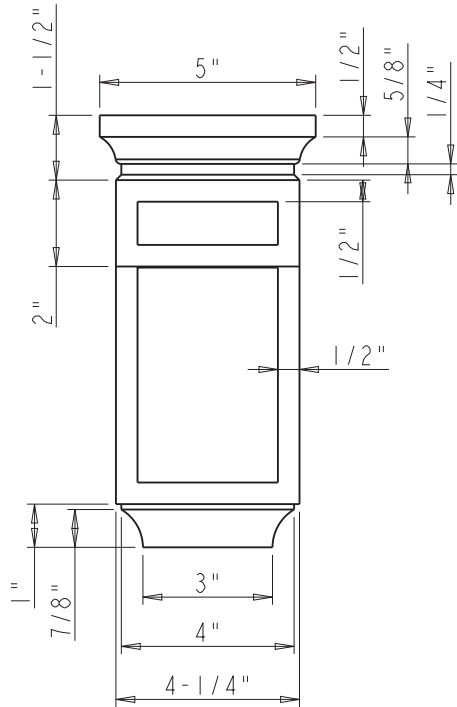
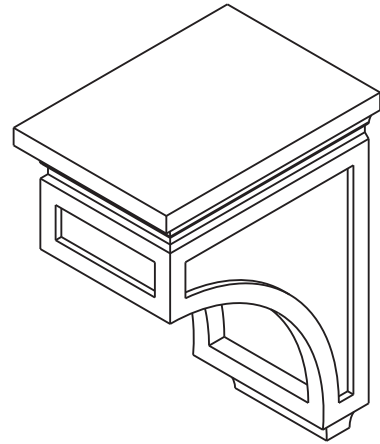


DETAIL A
SCALE 3:5



SECTION A-A



PROPRIETARY AND CONFIDENTIAL THE INFORMATION CONTAINED IN THIS DRAWING IS THE SOLE PROPERTY OF HARDWARE RESOURCES INC. ANY REPRODUCTION IN PART OR AS A WHOLE WITHOUT THE WRITTEN PERMISSION OF HARDWARE RESOURCES INC. IS PROHIBITED.	ITEM:	CORO-5		MATERIAL:
	FINISH:			WEIGHT:
				PROJECTION
	TOLERANCE UNLESS OTHERWISE SPECIFIED: X ±0.20 XX ±0.10 XXX ±0.05 ANGULAR: ±0.6°	UNITS:	DRAWN BY:	DATE:
	DO NOT SCALE DRAWING	SIZE: A4	<i>Hugo.cai</i>	05-12-15
		SHEET: 1 OF 1	APPROVED BY:	DATE:
			RELEASE LEVEL:	REVISION: