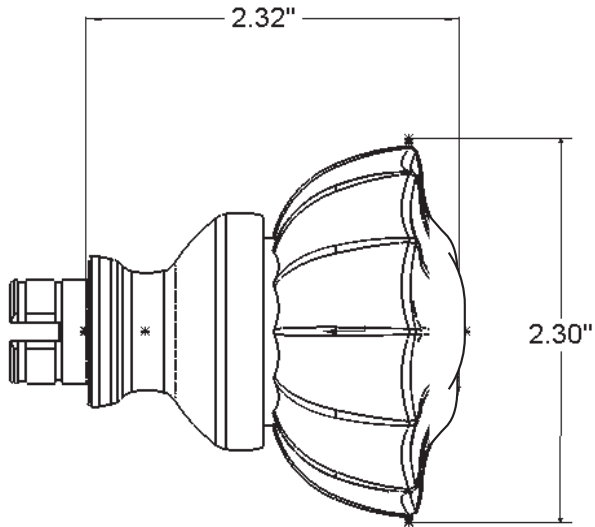


Fontainebleau Crystal Knob



- > Collection: Grandeur
- > Design code: FON
- > Material: 24% lead crystal



Fontainebleau Crystal Knob shown in Bright Chrome