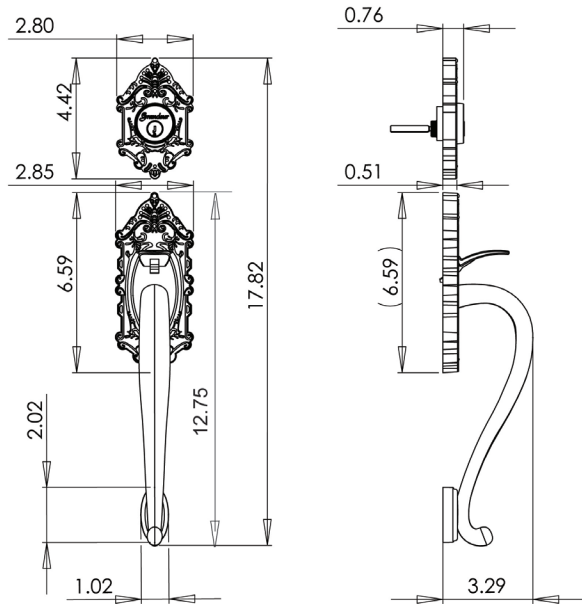


TECHNICAL SPECIFICATIONS

Grande Victorian Handleset – S Grip



- > Collection: Grandeur
- > Design code: GVCSGR
- > Material: Solid Forged Brass
- > Functions: Single Cylinder

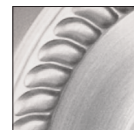
Minimum bore distance center to center is 4-3/8"



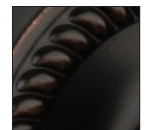
Available Finishes



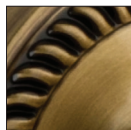
Antique Pewter
(AP)



Satin Nickel
(SN)



Timeless Bronze
(TB)



Vintage Brass
(AB)



Lifetime Brass
(LB)

Grande Victorian Handleset shown in Antique Pewter