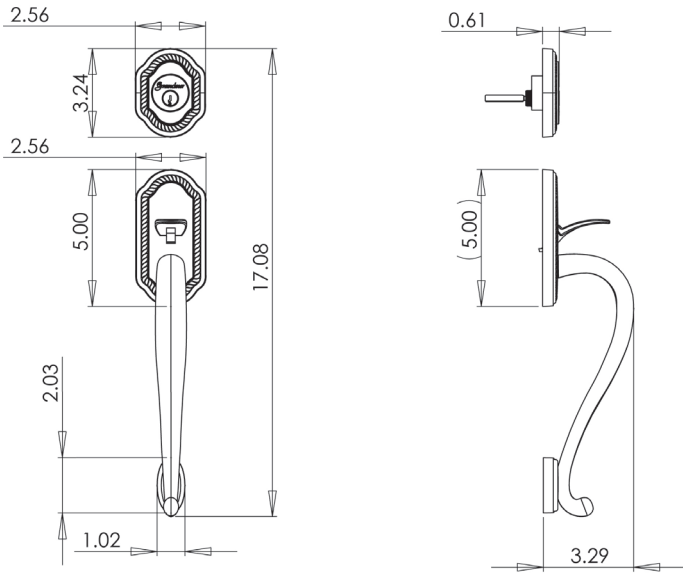


TECHNICAL SPECIFICATIONS

Newport Handleset – S Grip

MINIMUM BORE CENTER TO CENTER DISTANCE 4-1/2"

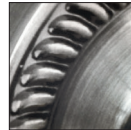


- > Collection: Grandeur
- > Design code: NEWSGR
- > Material: Solid Forged Brass
- > Functions: Single Cylinder

Minimum bore distance center to center is 4-1/2"



Available Finishes



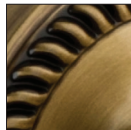
Antique Pewter (AP)



Satin Nickel (SN)



Timeless Bronze (TB)



Vintage Brass (AB)



Lifetime Brass (LB)

Newport Handleset shown in Antique Brass