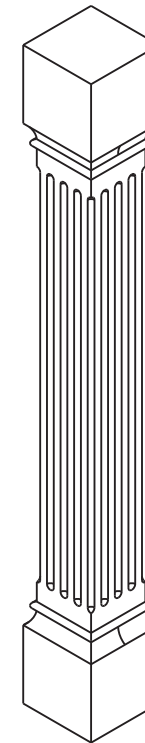
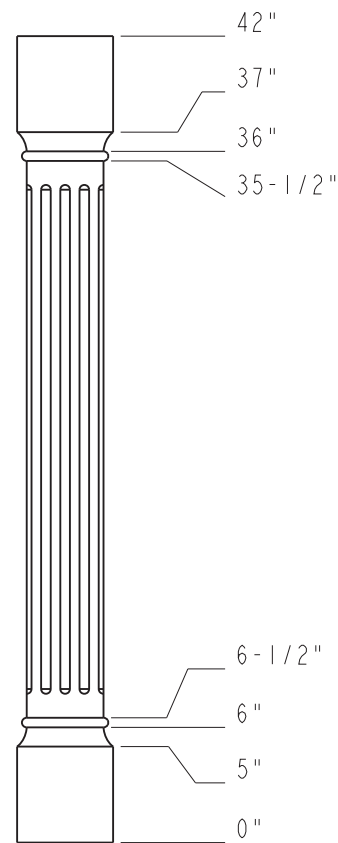
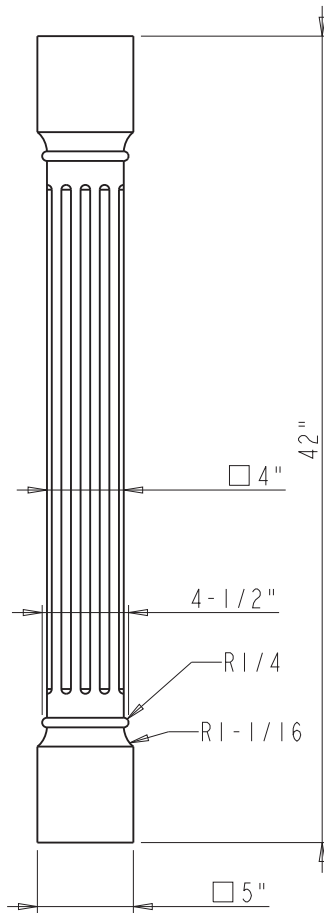


SECTION A-A

SCALE 2:1



<p>PROPRIETARY AND CONFIDENTIAL</p> <p>THE INFORMATION CONTAINED IN THIS DRAWING IS THE SOLE PROPERTY OF HARDWARE RESOURCES INC. ANY REPRODUCTION IN PART OR AS A WHOLE WITHOUT THE WRITTEN PERMISSION OF HARDWARE RESOURCES INC. IS PROHIBITED.</p>	ITEM:	P27-5-42		MATERIAL:
	FINISH:			WEIGHT: 0.000
				PROJECTION
TOLERANCE UNLESS OTHERWISE SPECIFIED:	UNITS:	DRAWN BY:	DATE:	
X ±0.20		<i>Hugo Cal</i>	08-26-15	
X.X ±0.10	SIZE:	APPROVED BY:	DATE:	
X.XX ±0.05	A4			
ANGULAR: ±0.5°	SHEET:	RELEASE LEVEL:	REVISION:	
DO NOT SCALE DRAWING	1 OF 1			