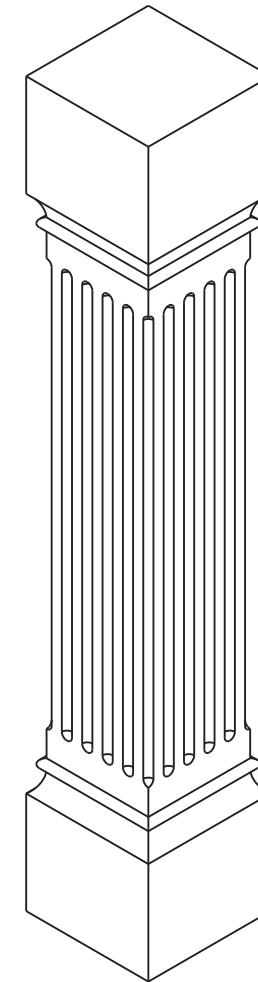
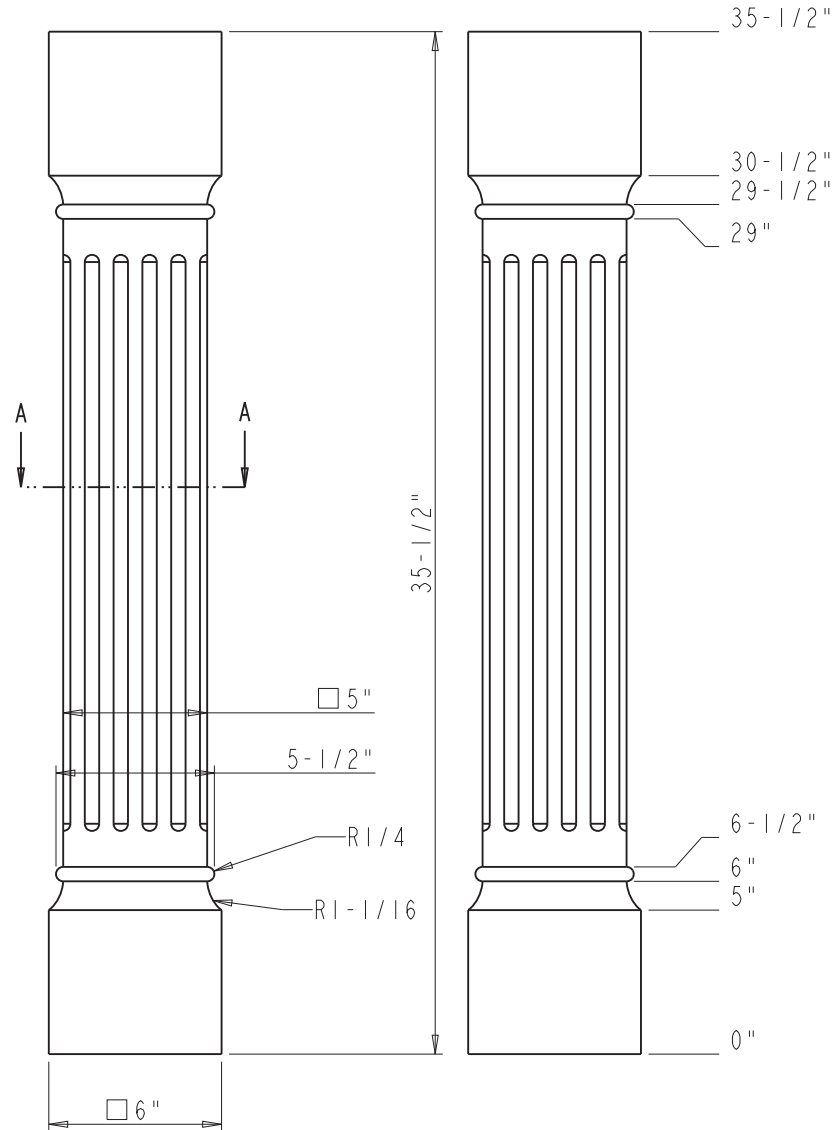


SECTION A-A
SCALE 2:1



PROPRIETARY AND CONFIDENTIAL THE INFORMATION CONTAINED IN THIS DRAWING IS THE SOLE PROPERTY OF HARDWARE RESOURCES INC. ANY REPRODUCTION IN PART OR AS A WHOLE WITHOUT THE WRITTEN PERMISSION OF HARDWARE RESOURCES INC. IS PROHIBITED.	ITEM:	P27-6		MATERIAL:	PTC_MATERIAL_NAME
	FINISH:			WEIGHT:	0.000
				PROJECTION	
	TOLERANCE UNLESS OTHERWISE SPECIFIED:	UNITS:	DRAWN BY:	DATE:	08-26-15
	X ±0.20		<i>Hugo Cal</i>		
	X.X ±0.10	SIZE:	APPROVED BY:	DATE:	
	X.XX ±0.05	A4			
	ANGULAR: ±0.5°	SHEET:	RELEASE LEVEL:	REVISION:	
	DO NOT SCALE DRAWING	1 OF 1			