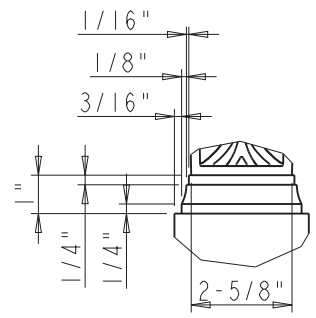
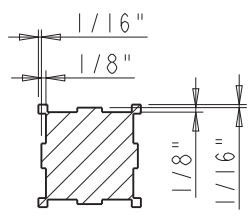


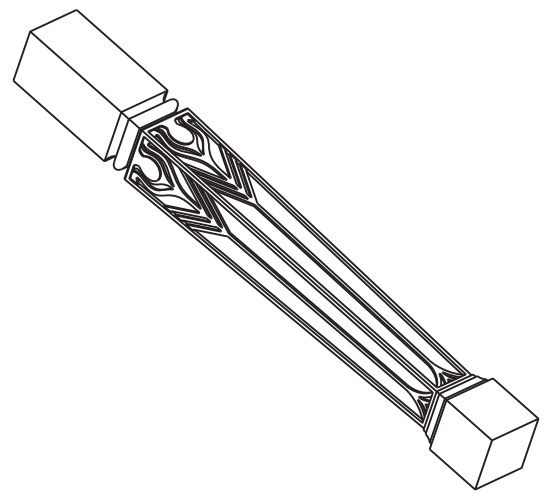
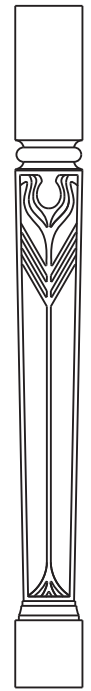
DETAIL A
SCALE 1:5



DETAIL B
SCALE 1:5



SECTION A-A
SCALE 1:5



PROPRIETARY AND CONFIDENTIAL THE INFORMATION CONTAINED IN THIS DRAWING IS THE SOLE PROPERTY OF HARDWARE RESOURCES INC. ANY REPRODUCTION IN PART OR AS A WHOLE WITHOUT THE WRITTEN PERMISSION OF HARDWARE RESOURCES INC. IS PROHIBITED.	ITEM:	P66		MATERIAL:
	FINISH:			WEIGHT: 0.000
	TOLERANCE UNLESS OTHERWISE SPECIFIED: X ±0.20 XX ±0.10 XXX ±0.05 ANGULAR: ±0.5°	UNITS:	DRAWN BY:	DATE:
	SIZE: A4	APPROVED BY:	DATE:	
DO NOT SCALE DRAWING	SHEET: 1 OF 1	RELEASE LEVEL:	REVISION:	