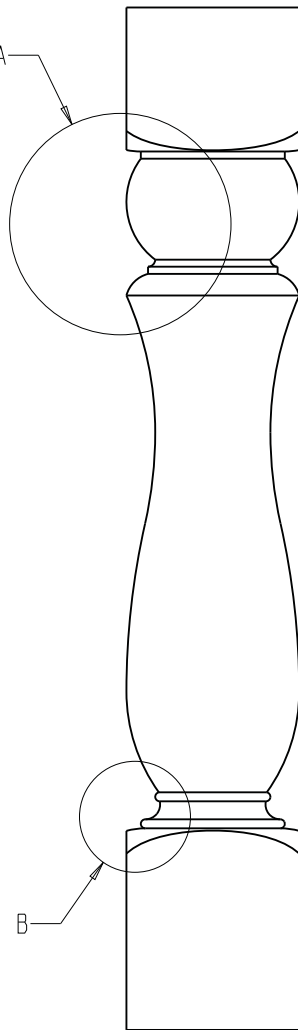
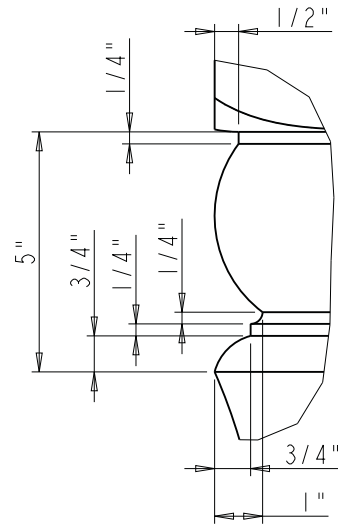


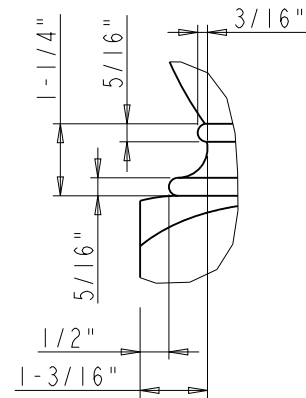
SEE DETAIL A



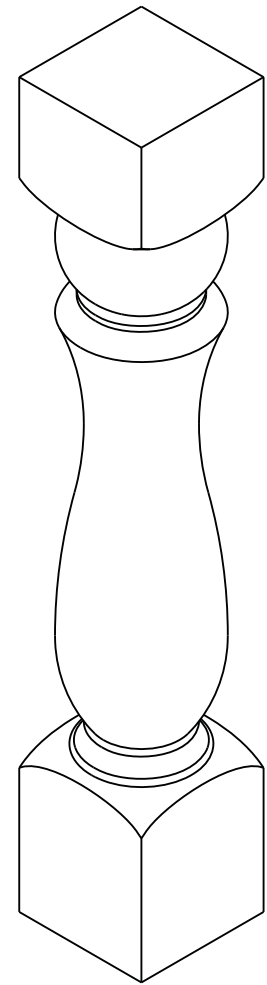
SEE DETAIL B



DETAIL A
SCALE 1:4



DETAIL B
SCALE 3:10



PROPRIETARY AND CONFIDENTIAL THE INFORMATION CONTAINED IN THIS DRAWING IS THE SOLE PROPERTY OF HARDWARE RESOURCES INC. ANY REPRODUCTION IN PART OR AS A WHOLE WITHOUT THE WRITTEN PERMISSION OF HARDWARE RESOURCES INC. IS PROHIBITED.	ITEM: P81-6		MATERIAL:	
	FINISH:		WEIGHT:	
TOLERANCE UNLESS OTHERWISE SPECIFIED: X ±0.20 XX ±0.10 XXX ±0.05 ANGULAR: ±0.6° DO NOT SCALE DRAWING	UNITS:	DRAWN BY:	DATE:	
	SIZE: A4	APPROVED BY:	06-05-15	
	SHEET: 1 OF 1	RELEASE LEVEL:	DATE:	
			REVISION:	